

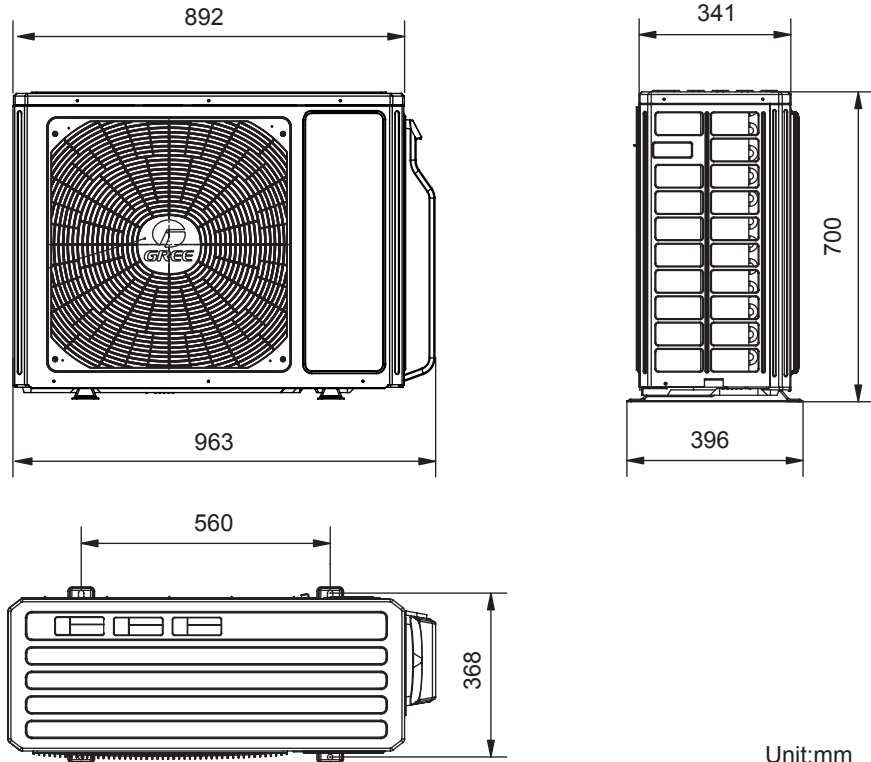
Model			GWHD(28)NK6LO	GWHD(28)NK6LO(LC)(LH)	
Product Code			CB228W08800	CB228W08801	
Power supply	Rated Voltage	V~	220-240	220-240	
	Rated Frequency	Hz	50	50	
	Phases		1	1	
Cooling capacity		W	8000	8000	
Heating capacity		W	9500	9500	
Cooling Power Input		W	2300	2300	
Heating Power Input		W	2650	2650	
Cooling Current Input		A	10.2	10.2	
Heating Current Input		A	11.76	11.76	
Rated Power Input		W	3.58	3.58	
Rated Current		A	15.88	15.88	
SEER		W/W	3.48	3.48	
SCOP		W/W	3.58	3.58	
Outdoor Unit	Compressor Trademark		ZHUHAI LANDA COMPRESSOR CO.,LTD	ZHUHAI LANDA COMPRESSOR CO.,LTD	
	Compressor Model		QXFS-D23zX090D	QXFS-D23zX090D	
	Compressor Refrigerant Oil Type		FW68DA	FW68DA	
	Compressor Type		Inverter Rotary	Inverter Rotary	
	L.R.A		A	25	25
	Compressor Rated Load Amp (RLA)		A	16	16
	Compressor Power Input		W	2400	2400
	Compressor Thermal Protector			1NT11L-6233 / KSD115°C / HPC115/95U1	1NT11L-6233 / KSD115°C / HPC115/95U1
	Throttling Method			Electron expansion valve	Electron expansion valve
	Cooling Operation Ambient Temperature Range		°C	18~43	-15~43
	Heating Operation Ambient Temperature Range		°C	-15~24	-20~24
	Condenser Material			Aluminum Fin-copper Tube	Aluminum Fin-copper Tube
	Condenser Pipe Diameter		mm	Φ7	Φ7
	Rows-Fin Gap(mm)		mm	19.05X22	19.05X22
	Coil length (l) X height (H) X coil width (L)		mm	982.2X748X38.1	982.2X748X38.1
	Fan Motor Speed (rpm) (H/M/L)		rpm	800	800
	Output of Fan Motor		W	90	90
	Fan Motor RLA		A	0.49	0.49
	Fan Motor Capacitor		μF	/	/
	Air Flow Volume of Outdoor Unit		m ³ /h	800	800
	Fan Type-Piece			Axial-flow	Axial-flow
	Fan Diameter		mm	Φ550-120	Φ550-120
	Defrosting Method			Automatic Defrosting	Automatic Defrosting
	Climate Type			T1	T1
	Isolation			I	I
	Moisture Protection			IPX4	IPX4
	Permissible Excessive Operating Pressure for the Discharge Side		MPa	4.3	4.3
	Permissible Excessive Operating Pressure for the Suction Side		MPa	2.5	2.5
	Dimension (WXHXD)		mm	1001X427X790	1001X427X790
	Dimension of Package (LXWXH)		mm	1080X485X840	1080X485X840
	Dimension of Package(LXWXH)		mm	1083X488X855	1083X488X855
	Net Weight		kg	69	69
Gross Weight		kg	74	74	
Refrigerant Charge			R32	R32	
Refrigerant Charge		kg	2.0	2.0	

Outdoor Unit	Cross-sectional Area of Power Cable Conductor	mm ²	2.5	2.5
	Recommended Power Cable(Core)	N	3	3
	Connection Pipe Connection Method	-	Flare Connection	Flare Connection
	Not Additional Gas Connection Pipe Length	m	40	40
	Connection Pipe Gas Additional Charge	g/m	20	20
	Outer Diameter of Liquid Pipe(GREE Allocation) (Metric)	mm	Φ6	Φ6
	Outer Diameter of Gas Pipe(GREE Allocation) (Metric)	mm	Φ9.52	Φ9.52
	Outer Diameter of Liquid Pipe(GREE Allocation) (Metric)	mm	Φ6	Φ6
	Outer Diameter of Gas Pipe(GREE Allocation) (Metric)	mm	Φ9.52	Φ9.52
	Outer Diameter of Liquid Pipe(GREE Allocation) (Metric)	mm	Φ6	Φ6
	Outer Diameter of Gas Pipe(GREE Allocation) (Metric)	mm	Φ9.52	Φ9.52
	Connection Pipe Max. Height Distance(indoor and indoor)	m	10	10
	Max. equivalent connection pipe length(outdoor to last indoor)	m	20	20
	Connection Pipe Max. Length Distance(total length)	m	70	70

The above data is subject to change without notice. Please refer to the nameplate of the unit.

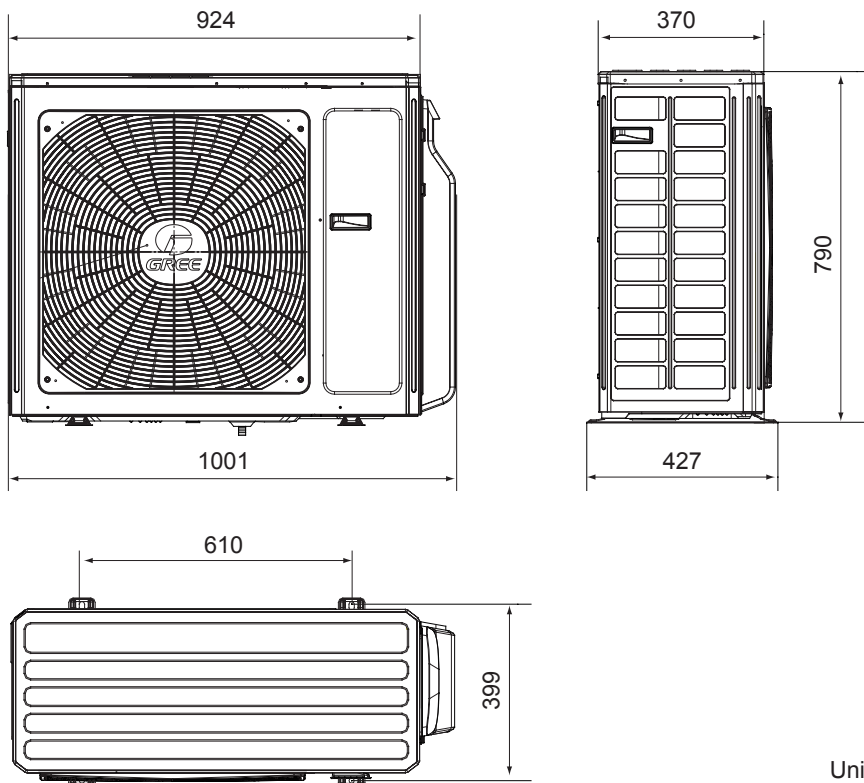
3. Outline Dimension Diagram

(1)Models:GWHD(21)NK6LO GWHD(21)NK6LO(LC)(LH)



Unit:mm

(2)Models:GWHD(24)NK6LO GWHD(28)NK6LO GWHD(24)NK6LO(LC)(LH) GWHD(28)NK6LO(LC)(LH)



Unit:mm